



Toroidal Common Mode Chokes

PTBL3633 Series



PTBL Series common mode toroidal chokes provide an efficient means of filtering supply lines having in-phase signals of equal amplitude thus allowing equipment to meet stringent electrical radiation specifications. Wide frequency ranges can be filtered by using high and low inductance Common Mode toroids in series. Differential mode signals can be attenuated substantially when used together with input and output capacitors.

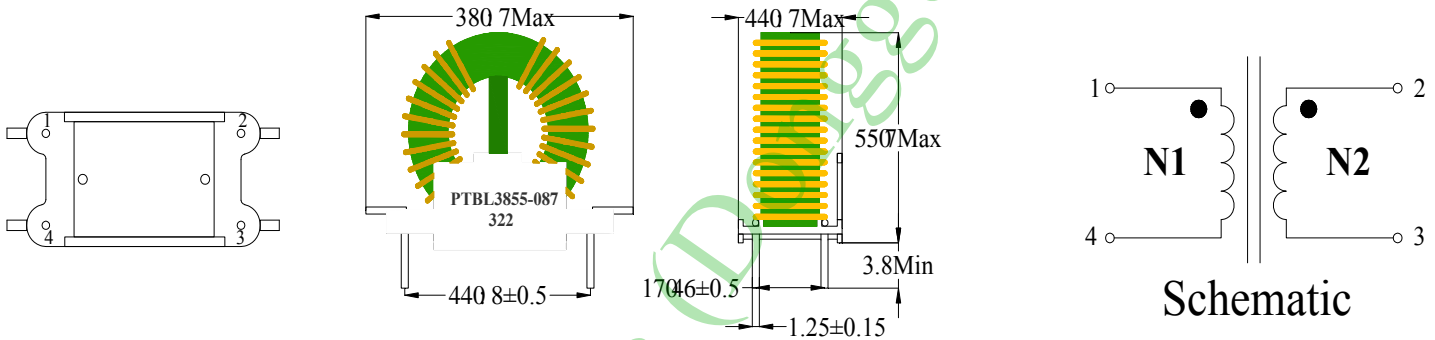
Features:

- 1.Separated windings for minimum capacitance
- 2.Competitive pricing due to high volume production
- 3.materials compliance RoHS & UL.

Electrical Specifications @ 25°C

- 1.Operating temperature: -40°C to +125°C
- 2.Maximum Ambient Temperature: 60°C
- 3.Inductance loss <10% by DC preload

Mechanical Dimensions & Schematics:



Specifications

Part Number	Inductance(mH)Min	Test frequency	Rated Current(A)	DCR(Ω)Max
PTBL3633-150-122	1.2	1KHZ/0.25V	15	0.01
PTBL3633-087-202	2	1KHZ/0.25V	8.7	0.02
PTBL3633-065-302	3	1KHZ/0.25V	6.5	0.054
PTBL3633-054-402	4	1KHZ/0.25V	5.4	0.105
PTBL3633-035-802	8	1KHZ/0.25V	3.5	0.143
PTBL3633-030-103	10	1KHZ/0.25V	3.0	0.35
PTBL3633-022-163	16	1KHZ/0.25V	2.2	0.4

Notes:

- 1.Wire:130°C or150°C
- 2.Core Material: Mn-Zn ferrite
- 3.The above specifications for the common specifications, customers can request custom design.